

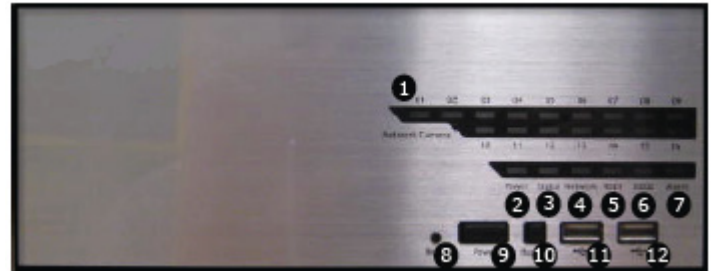
## 16 channel reliable Network Video Recorder for small multi-sites applications



- Manage up to 16 network cameras
- Compatible with major brand cameras
- High quality live/playback video
- Export playback videos to AVI
- Web-based E-map event alert
- Two-way audio
- Support external UPS
- Smart camera search
- Mobile devices remote monitoring
- Pure web based administration

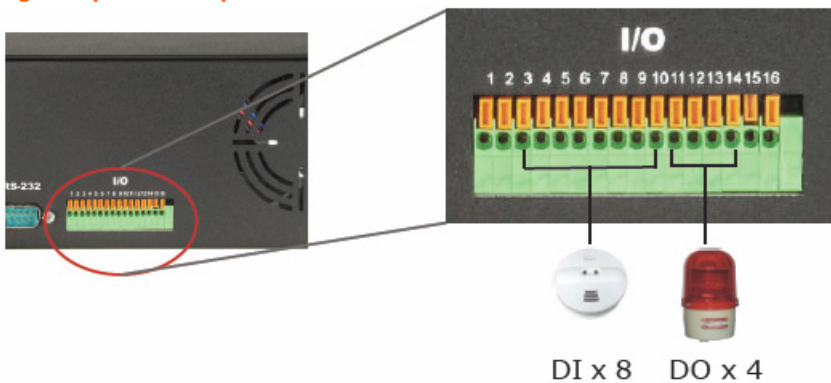
## Hardware Specification

<b>CPU &amp; Memory</b>	ARM9 500Mhz/128MB DDR RAM
<b>Ethernet</b>	10BaseT / 100BaseT/1GBaseT and half du-plex / full duplex auto-negotiation duplex auto-negotiation
<b>HDD</b>	SATA HDD Slot x 2 (SATA I or SATA II) Max. Capacity: 4TB (2TB per HDD)
<b>LED</b>	Cameras/Power/System/Network/HD/ Alarm
<b>Buttons</b>	Reset/Power/Buzzer
<b>Connectors</b>	USB x 2 RS-485 DI/DO Connectors RS-232
<b>Power</b>	19V DC/90W
<b>Dimensions</b>	220 x 215 x 81 mm
<b>Weight</b>	10lbs
<b>Temperature</b>	Operating: 5 °C ~ 45 °C/41 °F ~ 113 °F Storage: -40 °C ~ 70 °C/-14 °F ~ 158 °F
<b>Humidity</b>	5% ~ 90% (non condensing)
<b>Safety</b>	FCC Class A/CE/UL

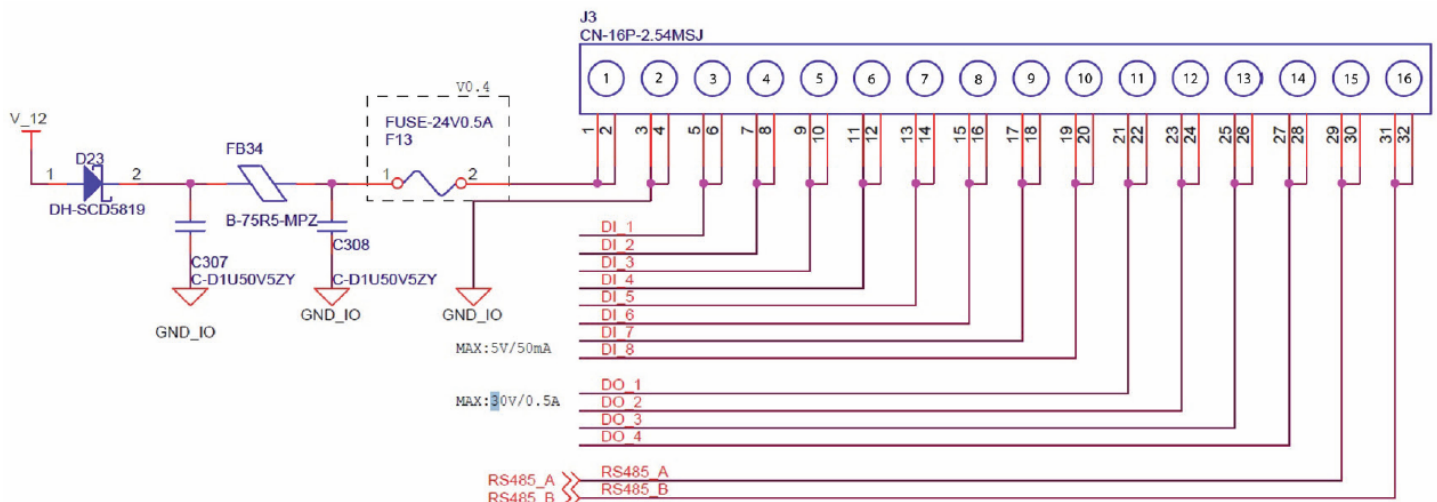


- |                           |                 |
|---------------------------|-----------------|
| 1. LEDs for camera status | 7. Alarm LED    |
| 2. Power LED              | 8. Reset button |
| 3. System status LED      | 9. Power button |
| 4. Network statuses LED   | 10. USB 1       |
| 5. Hard disk 1 status LED | 11. USB 2       |
| 6. Hard disk 2 status LED |                 |

## Digital Input and Output



Pin	Signal
1	12V DC
2	GND
3~10	Alarm input
11	Out1
12	Out2
13	Out3
14	Out4
15	RS485+
16	RS485-



## Software Specification

Camera	Add Camera	Manual/Smart Camera Search
	Max. Channels	16
	Supported Brands	Axis/Sony/Panasonic/AVTech/Canon/D-Link/ACTi/Zavio/ AMTK/Vivotek/Arecont Vision/Etrovision/Level 1/Mobotix/ Toshiba/Abus/Planet/Pixord/IQInvision/ A-Linking/Brickcom/ Hunt
Video / Audio	Compression	MJPEG/MPEG-4 Part 2/H.264
	Resolutions	5 MP/HD/MegaPixel/FD1/CIF/QCIF
	Max. Frame Rate	120 fps (2 MegaPixel, H.264)
	Streaming	Two-way audio
Live View	Display Mode	Live View/Playback/Full Screen
	Split Screen	1/4/16, 9/13 (use my favorite mode)
	Full Screen	1/4/16, 9/13 (use my favorite mode)
	PTZ Support	Virtual PTZ Panel/Auto Pan/Preset Point/Preset Sequence/
	Digital PTZ	10BaseT / 100BaseT/1GBaseT and half du-plex / full duplex auto-negotiation duplex auto-negotiation
	Sequence Mode with configurable timer	Sequence All/Manually Selected cameras in 1/4 split view
	Snapshot	Cameras/Power/System/Network/HD/ Alarm
Recording	Capacity	Video snapshot in JPEG format
	Recording Mode	Depends on hard disk
	Scheduling Types	Manual/Continuous/Scheduling/Event
Network	Protocols	Manual Select/Profile-based/Weekly Mode
	Streaming Protocols	HTTP/SNMP/DHCP/ARP/NTP/DNS/UPnP/FTP
User Management	Management	Depend on the supported cameras
	Number of Groups	User/Group
	Privileges	7 (Administrator/Guest/User Define * 5)
Triggers & Events	Events	Live View/Playback/System Configurations/Camera Configurations/ System Events -- System Start, System Settings modified, Camera Settings Modified, Start Recycle, Disk Full Camera Events -- Motion/Sensor Detection
	Maintenance	Operating: 5 °C ~ 45 °C/41 °F ~ 113 °F Storage: -40 °C ~ 70 °C/-14 °F ~ 158 °F
	Humidity	5% ~ 90% (non condensing)
Power & Storage	UPS	Support External UPS System
	Storage	Support SATA x 2, Max. 2TB per drive
Systems	Mini. Hardware	CPU: Intel Core 2 Duo @ 2.4 Ghz or higher
	RAM: 1GB or above	5% ~ 90% (non condensing)
General	Central Management	Central Management System support
	Management Software (CMS)	5% ~ 90% (non condensing)
	Log Types	Alert/Event/User Access
	Languages	English/Trad. Chinese/Simp. Chinese/Japanese/Spanish/