

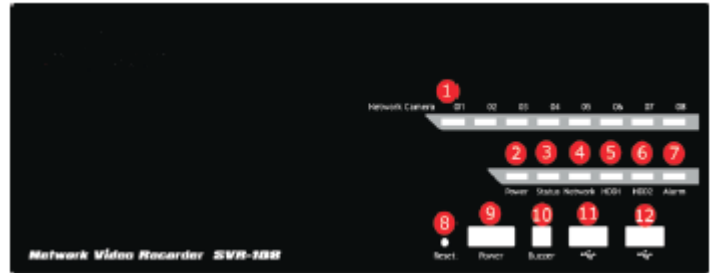
8 channel reliable Network Video Recorder for small multi-sites applications



- Manage up to 8 network cameras
- Compatible with major brand cameras
- High quality live/playback video
- Export playback videos to AVI
- Web-based E-map event alert
- Two-way audio
- Support external UPS
- Smart camera search
- Mobile devices remote monitoring
- Pure web based administration

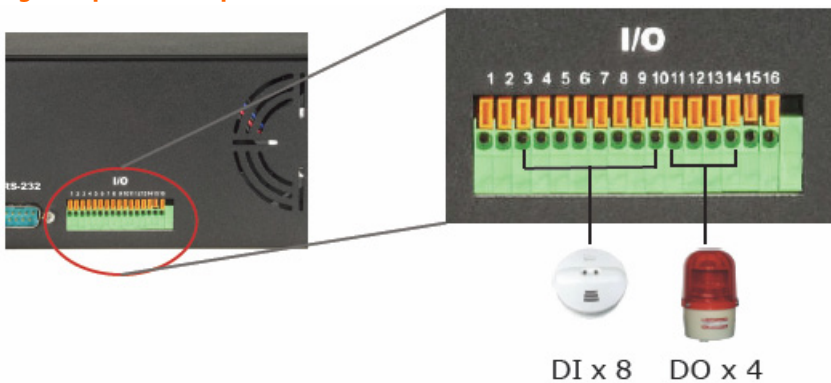
Hardware Specification

CPU & Memory	ARM9 500Mhz/128MB DDR RAM
Ethernet	10BaseT / 100BaseT/1GBaseT and half du-plex / full duplex auto-negotiation duplex auto-negotiation
HDD	SATA HDD Slot x 2 (SATA I or SATA II) Max. Capacity: 4TB (2TB per HDD)
LED	Cameras/Power/System/Network/HD/ Alarm
Buttons	Reset/Power/Buzzer
Connectors	USB x 2 RS-485 DI/DO Connectors RS-232
Power	19V DC/90W
Dimensions	220 x 215 x 81 mm
Weight	10lbs
Temperature	Operating: 5 °C ~ 45 °C/41 °F ~ 113 °F Storage: -40 °C ~ 70 °C/-14 °F ~ 158 °F
Humidity	5% ~ 90% (non condensing)
Safety	FCC Class A/CE/UL

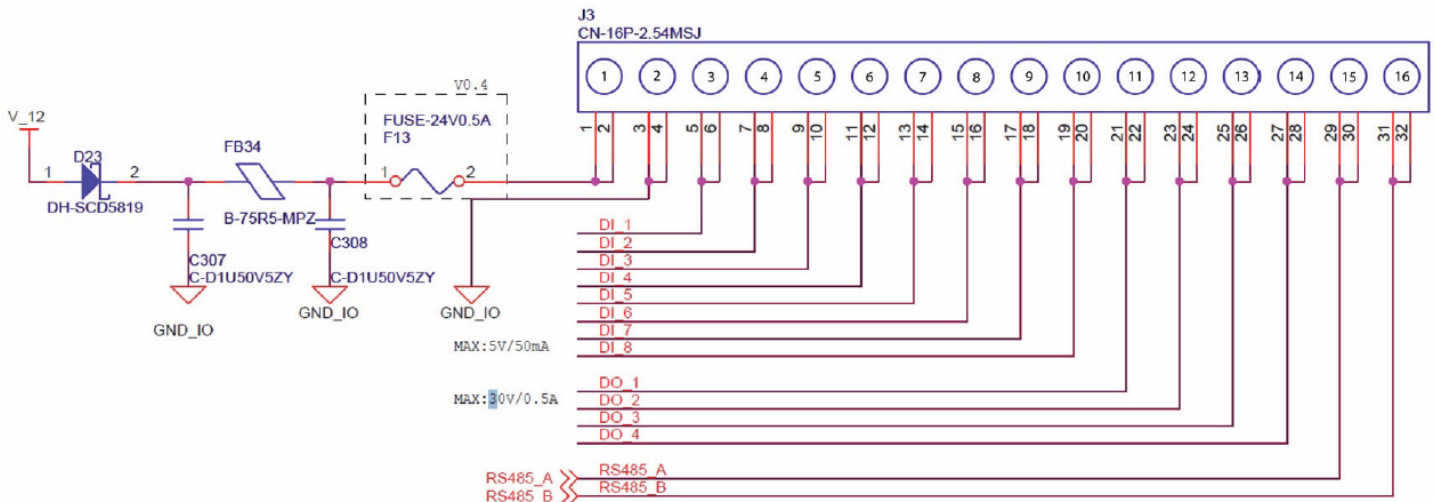


1. LEDs for camera status
2. Power LED
3. System status LED
4. Network status LED
5. Hard disk 1 status LED
6. Hard disk 2 status LED
7. Alarm LED
8. Reset button
9. Power button
10. USB 1
11. USB 2

Digital Input and Output



Pin	Signal
1	12V DC
2	GND
3~10	Alarm input
11	Out1
12	Out2
13	Out3
14	Out4
15	RS485+
16	RS485-



Software Specification

Camera	Add Camera	Manual/Smart Camera Search
	Max. Channels	8
	Supported Brands	Axis/Sony/Panasonic/AVTech/Canon/D-Link/ACTi/Zavio/ AMTK/Vivotek/Arecont Vision/Etrovision/Level 1/Mobotix/ Toshiba/Abus/Planet/Pixord/IQInvision/ A-Linking/Brickcom/ Hunt
Video / Audio	Compression	MJPEG/MPEG-4 Part 2/H.264
	Resolutions	5 MP/HD/MegaPixel/FD1/CIF/QCIF
	Max. Frame Rate	120 fps (2 MegaPixel, H.264)
	Streaming	Two-way audio
Live View	Display Mode	Live View/Playback/Full Screen
	Split Screen	1/4/8
	Full Screen	1/4/8
	PTZ Support	Virtual PTZ Panel/Auto Pan/Preset Point/Preset Sequence/
	Digital PTZ	10BaseT / 100BaseT/1GBaseT and half du-plex / full duplex auto-negotiation duplex auto-negotiation
	Sequence Mode with configurable timer	Sequence All/Manually Selected cameras in 1/4 split view Cameras/Power/System/Network/HD/ Alarm
	Snapshot	Video snapshot in JPEG format
Recording	Capacity	Depends on hard disk
	Recording Mode	Manual/Continuous/Scheduling/Event
	Scheduling Types	Manual Select/Profile-based/Weekly Mode
Network	Protocols	HTTP/SMTP/DHCP/ARP/NTP/DNS/UPnP/FTP
	Streaming Protocols	Depend on the supported cameras
User Management	Management	User/Group
	Number of Groups	7 (Administrator/Guest/User Define * 5)
	Privileges	Live View/Playback/System Configurations/Camera Configurations/
Triggers & Events	Events	System Events -- System Start, System Settings modified, Camera Settings Modified, Start Recycle, Disk Full Camera Events -- Motion/Sensor Detection
	Maintenance	Operating: 5 °C ~ 45 °C/41 °F ~ 113 °F Storage: -40 °C ~ 70 °C/-14 °F ~ 158 °F
	Humidity	5% ~ 90% (non condensing)
Power & Storage	UPS	Support External UPS System
	Storage	Support SATA x 2, Max. 2TB per drive
Systems	Mini. Hardware	CPU: Intel Core 2 Duo @ 2.4 Ghz or higher
	RAM: 1GB or above	5% ~ 90% (non condensing)
General	Central Management	Central Management System support
	Management Software (CMS)	5% ~ 90% (non condensing)
	Log Types	Alert/Event/User Access
	Languages	English/Trad. Chinese/Simp. Chinese/Japanese/Spanish/