

MSD248

Mobile Surveillance

Driving Recorder

Superior night vision vehicle video recorder

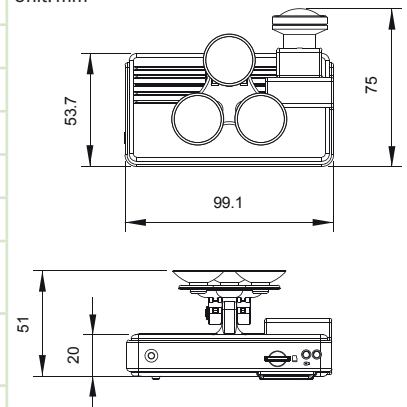


- Suitable for all personal vehicles, taxi, buses, trucks and etc.
- Easy to install and compact size to prevent blocking the driver's view.
- Video record on outside driving conditions and audio record inside the vehicle simultaneously.
- f = 4 mm lens, apprx. 90 degrees viewing angle.
- Image data is securely stored on Micro-SDHC Card, and sudden disconnection from unexpected shock is completely prevented.
- Simply Plug-n-Play.
- Date/Time can be shown on the display.
- Quick search on ALL event log.
- Precisely recorded driving event to the very last second right before the power is cutoff.
- G-sensor and Image data are recorded and playable on client software.
- Provide G-sensor activates when system detects a strong shock. Emergency recording starts automatically and the data is securely saved and cannot be overwritten.
- User-friendly client software.
- Multiple recording formats and recording frames per second (FPS) selections.
- Built-in synchronous single-channel microphone.
- AV connection from the main unit to the LCD displays for onsite playback and operates with an IR remote controller.

Specification

Model	MSD248
System	NTSC/PAL
Chipset	H.264 compression chipset
Sensor	VGA CMOS Sensor
View Angel	f = 4 mm lens apprx. 90 degrees viewing angle.
Voltage	5 V ± 5 %; 400 mA
Operating Temp	-10 °C ~ 70 °C (Inside vehicle)
Storage Device	Silicon Power or Transcend Micro SDHC card Class 6 or above, (min. capacity 4G or above)
Recording Frame	640 × 480 auto-cycling record, highest 30 fps (NTSC)/25 fps (PAL)
Content	Date, video, voice, G-sensor data.
Recording For- mat	Specific format for player software.
Microphone	Built-in synchronous single-channel microphone; Microphone on/off, adjustable setting via player or remote controller
Time Setting	Time setting on micro SD card via player.
Input/Output Device	(a) TV-Out (1 Vp-p composite video output, 75 ohms) (b) red light: recording (c) green light: Power. (d) emergency button
G-Sensor	built-in Internal 3D G-Sensor
Accessories	(a) Driver CD (b) 5 V cigarette Power adapter (c) Remote controller (d) AV output cable (e) User manual (f) Card reader (g) SD Card (optional)

Unit: mm



*Design and specifications are subject to change without prior notice.