

2 channel/extra view angle/GPS vehicle video recorder

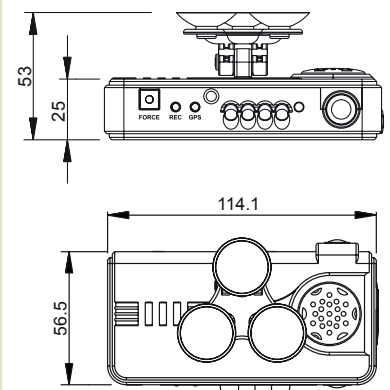


- Suitable for all personal vehicle, taxi, bus, truck.....
- Small size, easy installation and dismount, it does not affect the driver's line of sight.
- Insert the card and power on to start recording without additional operating.
- Simultaneously recording interior and exterior condition.
- Having full time, date recording and display on the screen directly.
- Recording driving condition, sound, G-Sensor and GPS data.
- Front view angle approx. 120 degrees. Back view angle approx. 170 degrees.
- Recording track of driving routes which can be shown on Google Map when we play the video.
- Micor SD card Class 6 or above recommend.
- G-sensor sensitivity can be adjusted according to road situations. When detect a strong shock, system will start emergency recording and keep the files without being overwritten.
- Professional file formats, without built-in lithium battery, no needs to afraid of heat and bursting concerns, it is the real black box.

Specification

Model	MSD246
Chipset	H.264 image compression chip
Sensor Device	Forward facing lens: VGA CMOS sensor. Backward facing lens: VGA CMOS sensor.
View Angle	Outside vehicle approx.: 120 degree; Inside vehicle approx.: 170 degree
Voltage	Please use 5 V ± 5 %, 1 A Cigarette lighter adapter. The machine needs 4.7 V to start.
Operating Temperature	-15 °C ~ 65 °C (inside vehicle).
Recording Frame	Forward facing lens: 640 × 480; Highest resolution: 30 fps/25 fps (NTSC/PAL) Backward facing lens: 640 × 480; Highest resolution: 15 fps/15 fps (NTSC/PAL) Auto record when power up system; backward facing lens can be closed by setting of software.
Recording Content	Date, time, image, sound, G-sensor data, GPS data.
Recording Format	Specific format for software player.
Microphone	Build-in high sensitivity of single microphone for automatic voice adjustment.
Time Setup	Auto-calibrating by GPS signals. If GPS is not available, the built-in clock will be used.
G-Sensor	Internal 3D G-Sensor.
Out Device	(1). TV-Out (1 Vp-p composite video output, 75 ohms), Video Output format: NTSC/PAL alternative. (2). Force Record Button: For emergency recording. Glеams in night time. (3). Red light: Recording indicator. In emergency recording, it flashes more frequently. (4). Green light Flashing: Searching GPS signals. Light on: GPS positioning ready (5). External hole to connect GPS Mouse Remark: When IR turns on, the LED light will be dimmer.
Accessories	Standard: (1). 5 V cigarette Power adapter (2). USB card reader (3). 4 pins, 3.5 inch headphone jack to RCA output cable. (4). Suction cup bracket (5). Bracket holder (6). Remote control (7). Product CD (8). Quick Guide Optional: (1). Micro SD card (4GB/8GB/16GB/32GB) (2). External GPS Mouse (4P Phone Jack Connect)

Unit: mm



*Design and specifications are subject to change without prior notice.