

MSD245

Mobile Surveillance

Driving Recorder

Full HD 5 Megapixel vehicle video recorder

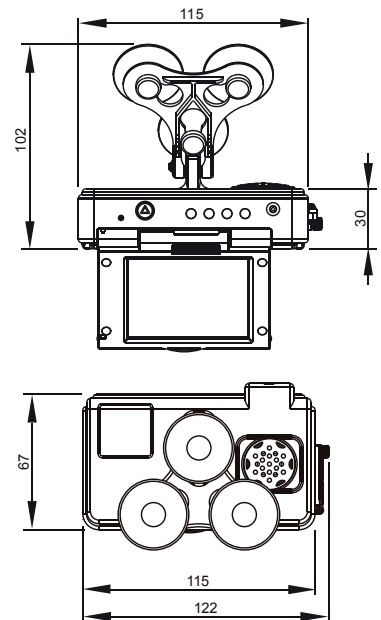


- Easy installation. Compact and light structure, do not occupy space in the car, suitable for all vehicles.
- Full HD 5M CMOS Sensor.
- View angle approx. 105 degrees.
- Advanced H.264 compression technology for longer recording of higher quality video.
- 3 inch TFT LCD screen provides a platform for composing and playing back your footage, while the fixed focus lens keeps things simple.
- Build-in accelerometer, the system automatically determine the level of the screen visualization, and make the screen self-rotated to normal position.
- Support up to 32GB SD card.
- G-sensor sensitivity can be adjusted according to vehicles and road situations. When detect a strong shock, system will start emergency recording and keep the files without being overwritten.
- Embedded GPS module ,Google map is available for viewing the recorded file and let user to view the routes.
- G-sensor, GPS and Image data will be recorded simultaneously.

Specification

Model	MSD245
Chipset	Ambarella H.264 image compression chip
Sensor Device	Full HD 5 Megapixel CMOS Sensor
View Angle	View angle approx. 105 degrees.
Voltage	Start at 5 V \pm 5 %; 650 mA, Remark: Please use 5 V \pm 5 %, 1 A Cigarette lighter adapter.The machine needs 4.8 V to start.
Operating Temperature	-10 $^{\circ}$ C ~ 70 $^{\circ}$ C (inside vehicle)
Storage Device	For the performance issue, use SanDisk SDHC card Class 6 or above read/write speed 15MB/s recommend. (min. capacity 4G, max. 32G)
Recording Frame And Content	1920 \times 1080 (Full HD1080P/30 fps); 1280 \times 720 (HD720P/60 fps and HD720P/30 fps). Auto record when power up system. Recording frame:30 fps/60 fps (NTSC/PAL) only select one.
Recording Content	Date, time, image, sound, G-Sensor data, GPS data.
Recording Format	Specific format for player software.
Microphone	Built-in Dual High Sensitivity Microphone.
Input Device	Emergency recording button, Remote controller.
Out Device	(1). TV-Out (1 Vp-p composite video output, 75 ohms), Two kind of system: NTSC/PAL (2). Red light: Recording (3). Green light: Power (4). Yellow light: Manual taking photo (5). Mini USB for PC connection (6). Built-in accelerometer, the system automatically determine the level of the screen visualization, and make the screen self-rotated to normal position.
Time Setup	Use the built-in clock.
G-Sensor	Built in Internal 3D G-Sensor
Accessories	Standard: (1). Main Machine (2). Quick Guide (3). Remote Control (4). 5V Cigarette Lighter Adapter (5). Driver CD Optional: (1). SD card (2). 5 Megapixel RCA Video out Cable

Unit: mm



*Design and specifications are subject to change without prior notice.